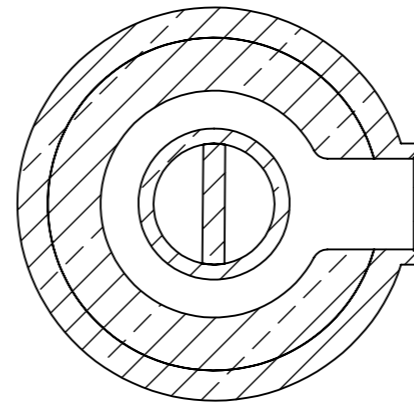
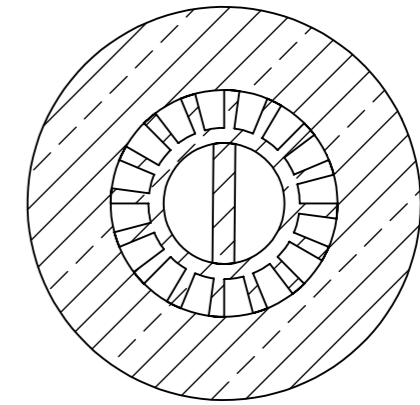


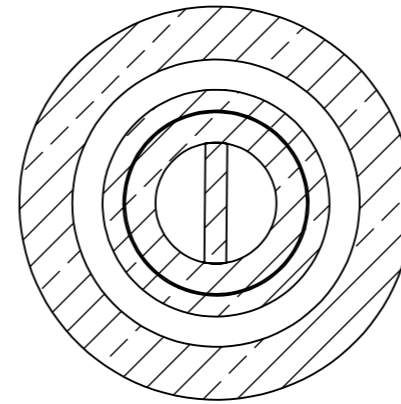
SECTION A-A
SCALE 2 : 1



SECTION B-B
SCALE 2 : 1



SECTION C-C
SCALE 2 : 1



SECTION D-D
SCALE 2 : 1

UNLESS OTHERWISE SPECIFIED: DIMENSIONS ARE IN MILLIMETERS SURFACE FINISH: TOLERANCES: LINEAR: ANGULAR:				FINISH:		DEBUR AND BREAK SHARP EDGES		DO NOT SCALE DRAWING		REVISION	
								TITLE:			
DRAWN				NAME		SIGNATURE		DATE			
CHK'D											
APPV'D											
MFG											
Q.A								MATERIAL:		DWG NO. Section - Area	
								WEIGHT:		SCALE:1:1	
										SHEET 1 OF 1	

A3